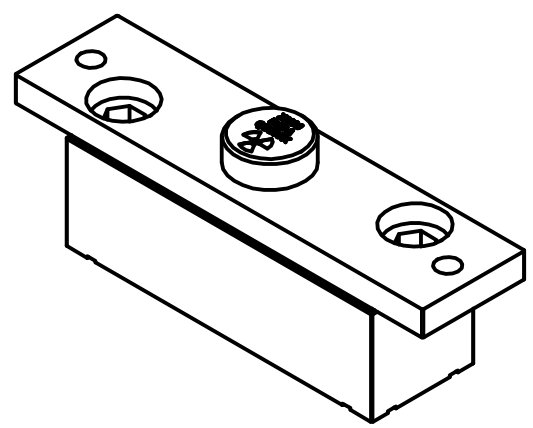
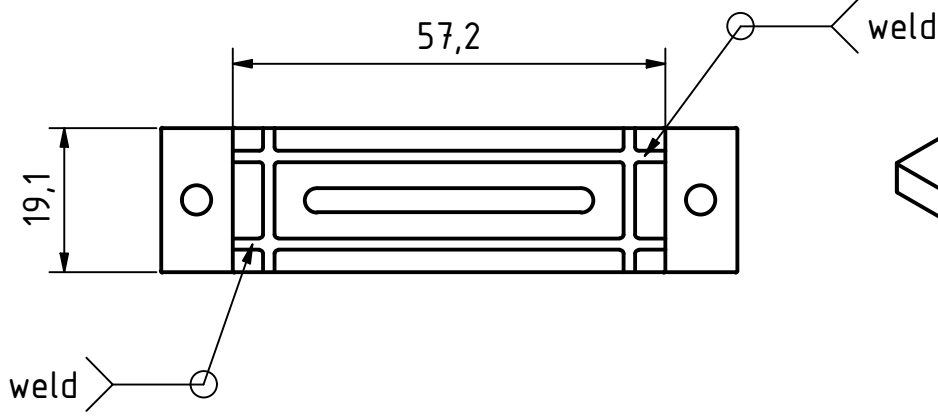
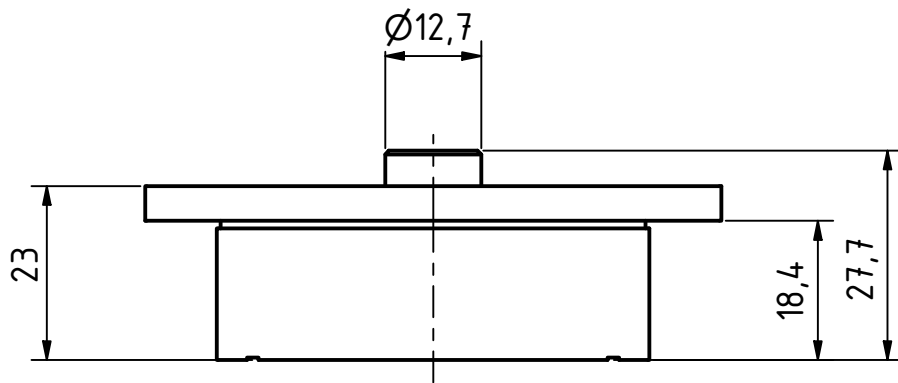


B (2 : 1)



ISO (1 : 1)

REVISIONSVERLAUF

REV.	DATUM	GENEHMIGT
1	22.05.2019	Dr.D.Bieren

The content of this drawing and its enclosures are property of the IUTGmbH. Any reproduction in part or as a whole without the written permission of IUT GmbH is prohibiter.



WEIGHT:ca.0,0119kg

DENSITY:-

MATERIAL:Titan

	DATE	NAME
DRAWN	19.07.2018	Dr.D.Bieren
APPROVED	20.05.2019	C.Voels
NORM	22.05.2019	Dr.D.Bieren

X9096

DIMENSION
76,2x19,1x27,7

PROJECT:
Kr85 Source Series

1 / 1
A4

STATUS	CHANGES	DATE	NAME

SCALE: 1 : 1

