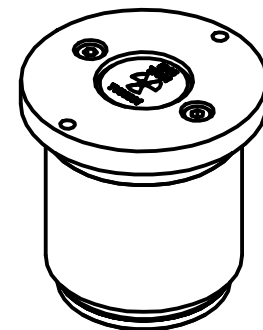
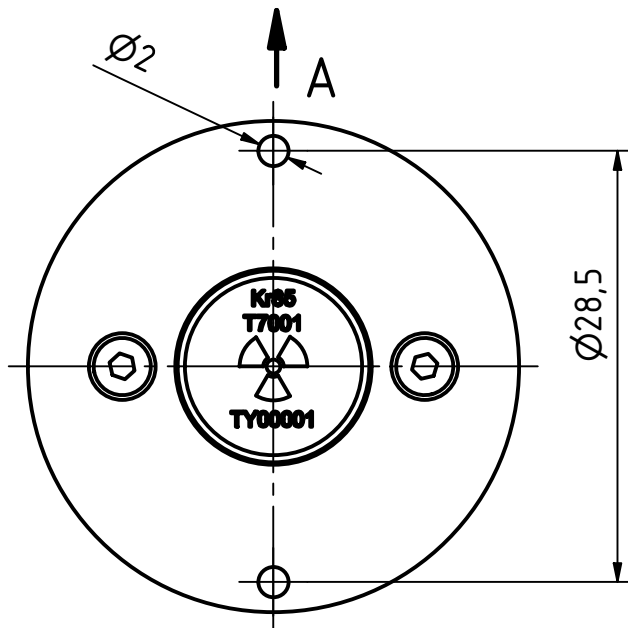


A ( 2 : 1 )



ISO ( 1 : 1 )

REVISIONSVERLAUF

REV.	DATUM	GENEHMIGT
1	22.05.2019	Dr.D.Bieren

The content of this drawing and its enclosures are property of the IUT GmbH. Any reproduction in part or as a whole without the written permission of IUT GmbH is prohibited.

**IUT**  
Institut für  
Umwelttechnologien  
GmbH

DIN ISO 128-30  
Allgemeintoleranz  
ISO 2768 - m

WEIGHT: ca. 0,056kg

DENSITY: -

MATERIAL: Titan

	DATE	NAME
DRAWN	18.07.2018	Dr.D.Bieren
APPROVED	20.05.2019	C.Voels
NORM	22.05.2019	Dr.D.Bieren

T7001

DIMENSION  
32,5x32,33

PROJECT:  
Kr85 Source Series

1 / 1  
A4

STATUS CHANGES DATE NAME

SCALE: 2 : 1