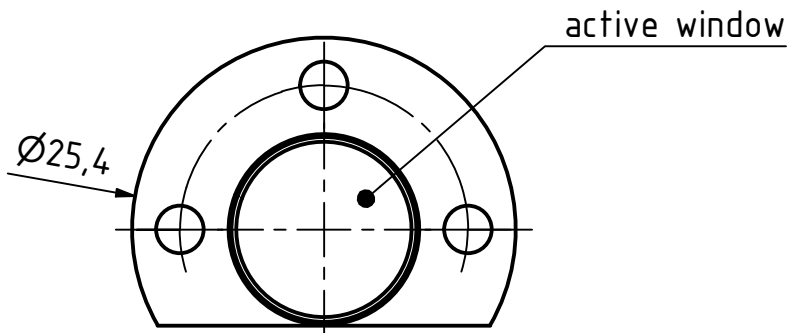


ISO (2 : 1)



REVISIONSVERLAUF

REV.	DATUM	GENEHMIGT
1	22.05.2019	Dr.D.Bieren

The content of this drawing and its enclosures are property of the IUT GmbH. Any reproduction in part or as a whole without the written permission of IUT GmbH is prohibiter.

I U T
Institut für
Umwelttechnologien
GmbH

DIN ISO 128-30
Allgemeintoleranz
ISO 2768 - m

WEIGHT:ca.0,004kg

DENSITY:-

MATERIAL:Titan

	DATE	NAME
DRAWN	18.07.2018	Dr.D.Bieren
APPROVED	20.05.2019	C.Voels
NORM	22.05.2019	Dr.D.Bieren

T4001

DIMENSION

25,4x19,1

PROJECT:

Kr85 Source Series

1 / 1

A4

STATUS	CHANGES	DATE	NAME

SCALE: 2 : 1