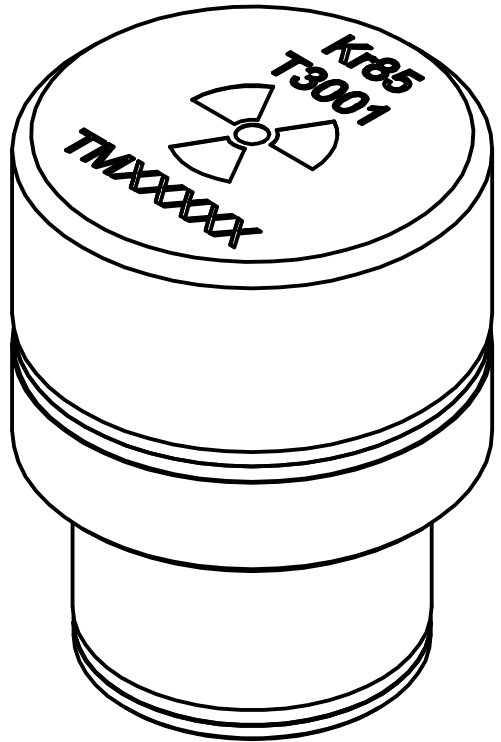
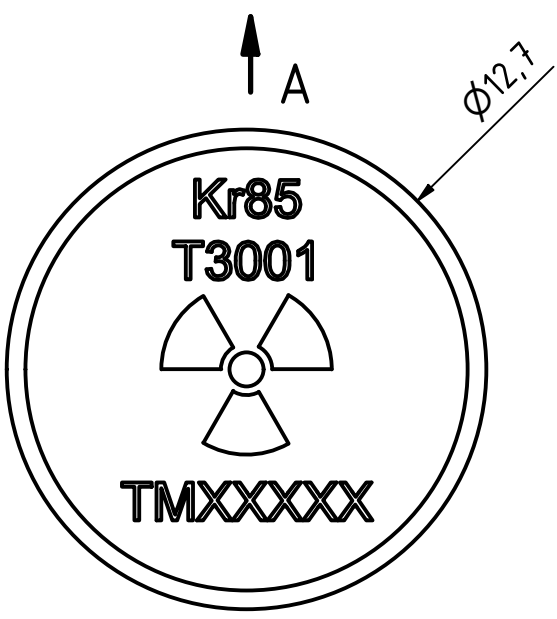


A (5 : 1)



ISO (5 : 1)

REVISIONSVERLAUF

| REV. | DATUM | GENEHMIGT |
|------|------------|-------------|
| 1 | 22.05.2019 | Dr.D.Bieren |

The content of this drawing and its enclosures are property of the IUTGmbH. Any reproduction in part or as a whole without the written permission of IUT GmbH is prohibiter.

I U T
Institut für
Umwelttechnologien
GmbH

DIN ISO 128-30
Allgemeintoleranz
ISO 2768 - m

WEIGHT: ca.0,006kg

DENSITY:-

MATERIAL: Titan

| | DATE | NAME |
|----------|------------|-------------|
| DRAWN | 18.07.2018 | Dr.D.Bieren |
| APPROVED | 20.05.2019 | C.Voels |
| NORM | 22.05.2019 | Dr.D.Bieren |

T3001

DIMENSION

16,4x12,7

PROJECT:
Kr85 Source Series

1 / 1
A4

| STATUS | CHANGES | DATE | NAME |
|--------|---------|------|------|
| | | | |

SCALE: 5 : 1