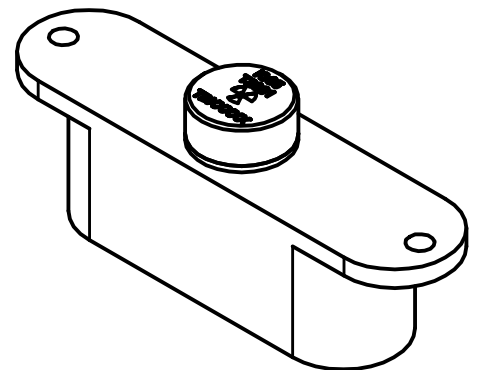
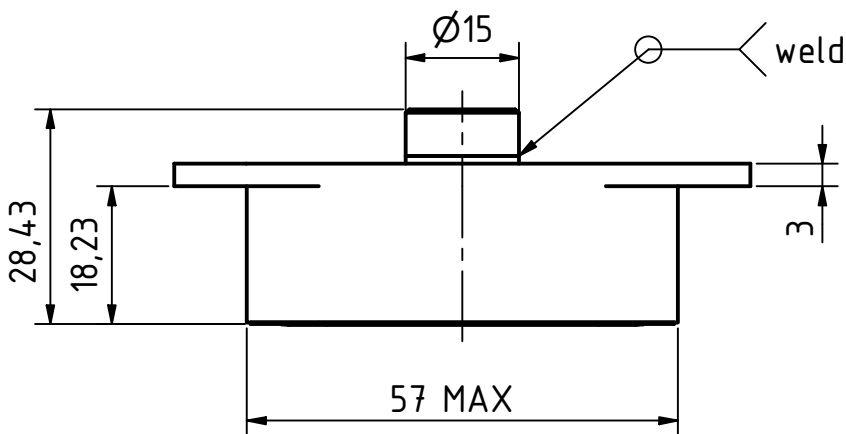
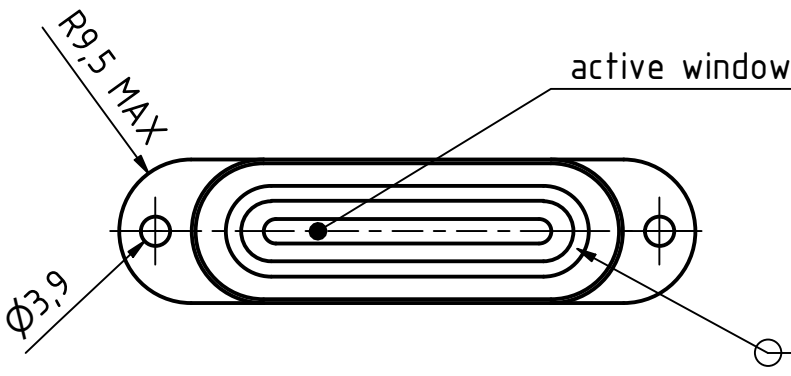


B (2 : 1)



ISO (1 : 1)



REVISIONSVERLAUF		
REV.	DATUM	GENEHMIGT
1	22.05.2019	Dr.D.Bieren

The content of this drawing and its enclosures are property of the IUT GmbH. Any reproduction in part or as a whole without the written permission of IUT GmbH is prohibiter.		IUT Institut für Umwelttechnologien GmbH	DIN ISO 128-30 Allgmeintoleranz ISO 2768 - m	WEIGHT: ca. 0,097kg	DENSITY: -
				MATERIAL: Titan	
				T2001	
		DATE	NAME		
		DRAWN 17.07.2018	Dr.D.Bieren		
		APPROVED 20.05.2019	C. Voels		
		NORM 22.05.2019	Dr.D.Bieren		
		DIMENSION		PROJECT:	
		76,2x19x28,43		Kr85 Source Series	
				1 / 1	
				A4	
STATUS		CHANGES	DATE	NAME	SCALE: 1 : 1